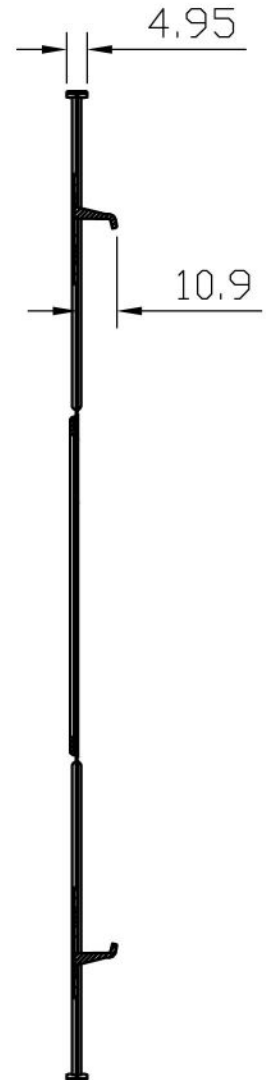
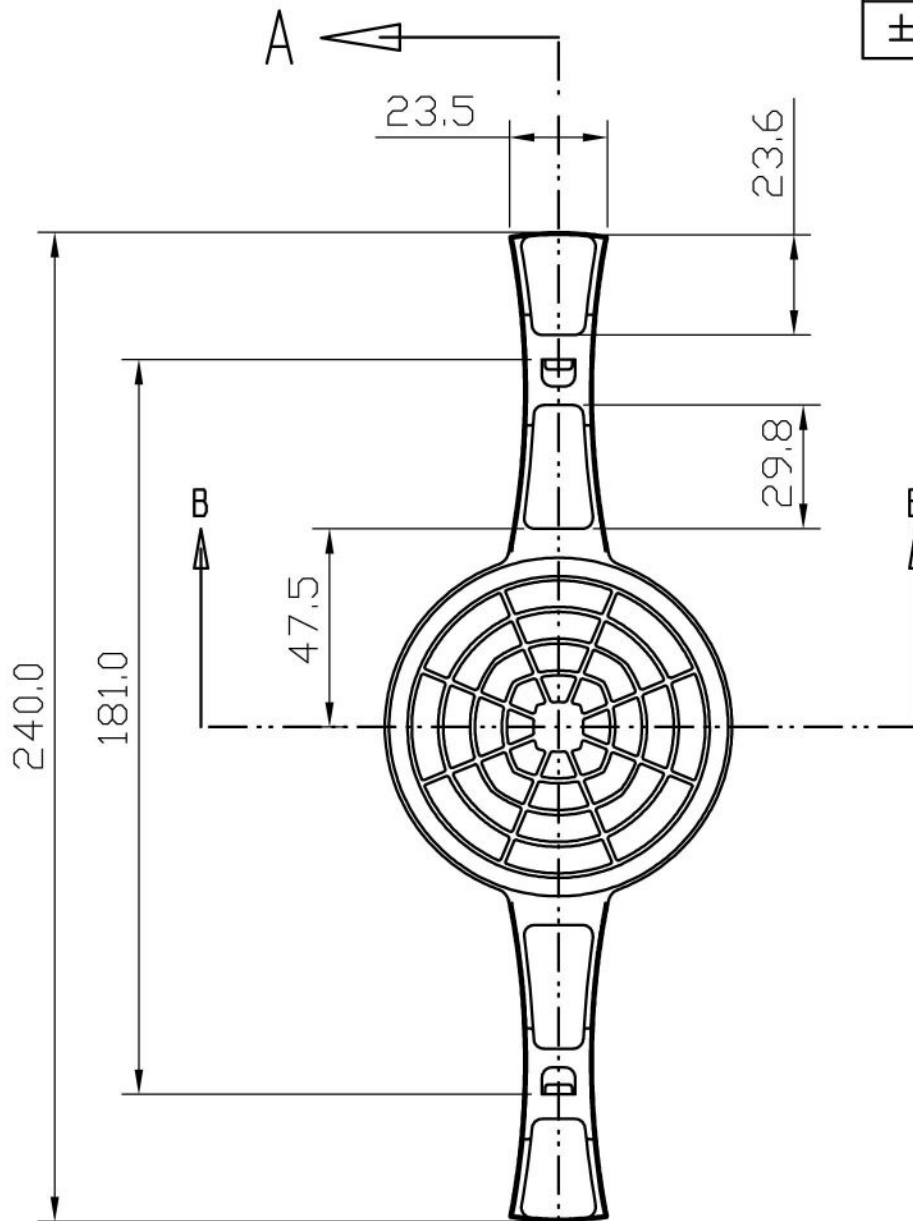
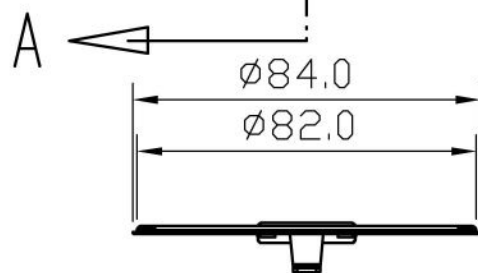


General Tolerances

1-6	6-30	30-100	100-300
±0.1	±0.2	±0.5	±0.7



SECTION A-A



SECTION B-B

Material: Polypropilen		Weight: 3.0 ±0.2gr.		Cat. Num. 5000003
DES.	Mold Dpt	2014	Scale: free	
APR.	Ellas	10/2/16	Product: Cheese Colander	
REV.	Ellas	9/7/16		
Ver.	2.0			



שלם פתרונות אריזה בע"מ